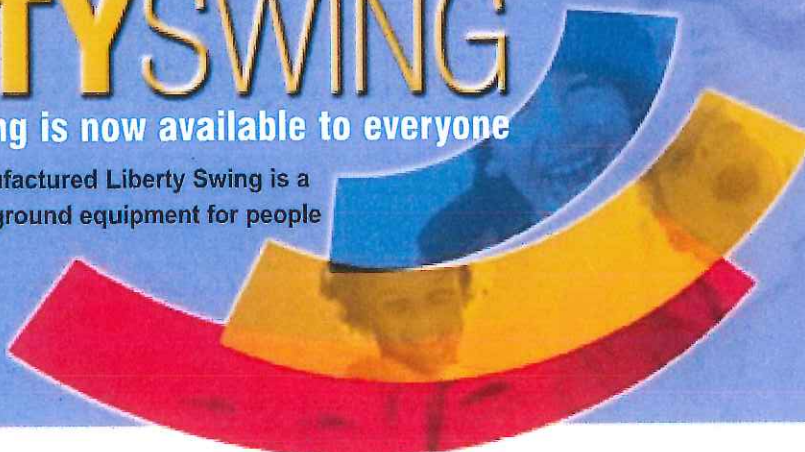


# LIBERTY SWING

The joy of having a swing is now available to everyone

The Australian designed and manufactured Liberty Swing is a revolutionary new concept in playground equipment for people with disabilities. The swing allows people in wheelchairs to enjoy the fun and recreation of swinging.



## The Invention Story

In 1988, Australian inventor Wayne Devine was struck by the fact that conventional playground equipment did not cater for children with disabilities. His heart sank as he watched able-bodied children laughing and enjoying the playground swings in his local park, whilst a child in a wheelchair looked on with envy. It was at that time that Wayne had the original idea of developing a swing for children in wheelchairs – a dream that took him 13 years to realise.

## The Developed Product

The Liberty Swing is a highly engineered product delivering universal quality control and reliability. The product was developed from the ground up with public use in mind. The Swing ideally suits being located in high traffic playground areas and because of its colours, proportion and purpose it almost becomes a feature in its own right. Its inventive design allows the swing to blend in perfectly with other playground equipment, allowing its intended users to enjoy a simple ride without being singled out as "someone special".

There are many key reasons why the Liberty Swing should be considered as a main stream piece of equipment for any municipality, park or caring environment.



- Safe and easy to use
- Meets standards and safety requirements
- Will stand up to the rigours of an outdoor children's playground
- Securely locked when not in use
- Australian design and manufacture
- Worldwide distribution

## The Service

The Liberty Swing can either be ordered fully installed – this includes site inspection, engineering, erection of both swing and fencing plus landscaping and commissioning – or delivered flat worldwide for international clients.

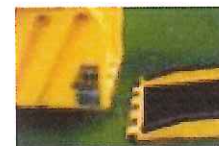
Our engineers, manufacturing partners and landscape consultants are available to provide information on how to maximise the benefits of the Liberty Swing.

## The Next Step

An informative CD and video is available upon request. For more information contact Robert Devine.



GTV Channel Nine personality  
Rosemary Margan at the  
launch of a Liberty Swing located  
in Albert Park – Victoria.  
Variety – The Children's Charity



## Robert Devine

Phone (02) 9580 7063

Email [sales@libertyswing.com.au](mailto:sales@libertyswing.com.au)

Liberty Swing Pty Ltd  
44 Anderson Rd  
Mortdale NSW 2223  
AUSTRALIA

[www.libertyswing.com.au](http://www.libertyswing.com.au)

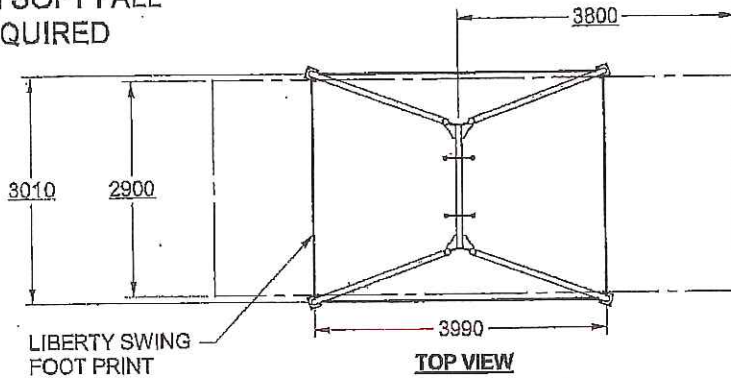


## Liberty Swing Technical Fact Sheet

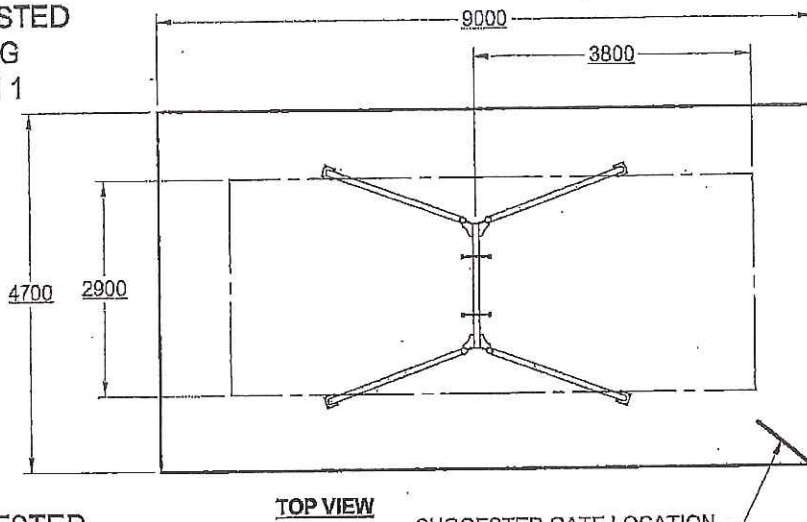
Swing measurements:	4.0 m long x 3.2 m wide; on/off device measures 1.2 m The Liberty Swing is 3.1 m at its highest point.
Minimum Fall Zone Dimensions	Approx 27 square metres Width: 2.9 m between support posts; Length: 3.8 m each side of crossbar (7.6m total)
Fall Zone/Height:	The manufacturer recommends a fall height of 1.8 m
Delivery:	Most deliveries within Australia are 4-6 weeks from date of order. The Liberty Swing is packaged for delivery and weighs approx 360 kg net; with packaging, 380 kg.
Swing Components/Locks:	<ul style="list-style-type: none"> <li>- Capsule with internal seat, on/off device lock, wheel locks, seat belt and seat belt anchor points, seat belt locking compartment</li> <li>- On/Off device with torsion rod</li> <li>- Top swing cross bar</li> <li>- Capsule support arms (4)</li> <li>- Post legs (4) and extensions (6)</li> <li>- MLA key (2)</li> <li>- Signage: <ul style="list-style-type: none"> <li>o Restricted area</li> <li>o How to Start/Finish Ride</li> <li>o Liberty Swing panels</li> </ul> </li> </ul>
Installation Instructions:	<p>Full Manual is supplied on order of the Liberty Swing and includes:</p> <ul style="list-style-type: none"> <li>- General assembly plan and side elevations</li> <li>- Installation instructions</li> <li>- Soft fall instructions</li> <li>- Components list</li> <li>- Suggested fence layout plan (Swing must be fenced with gate - see page 3)</li> <li>- Maintenance program</li> <li>- Technical fact sheet</li> </ul> <p style="text-align: right;">Instruction Manual)</p>
Australian Standards Compliance:	<p>AS 1924 Part 1 General Requirements AS 1924 Part 2 Design and Construction Safety Aspects AS 2555 Guide to Siting, Installation and Maintenance AS/NZS 4422: 1996 and AS/NZS 4486 Part 1-1997</p>
Fencing and Soft Fall	Not included
Manufacturer's warranty:	Jenway Industries offer a 5 year warranty with normal usage

**Minimum soffall (dotted line) and suggested fencing layout options**

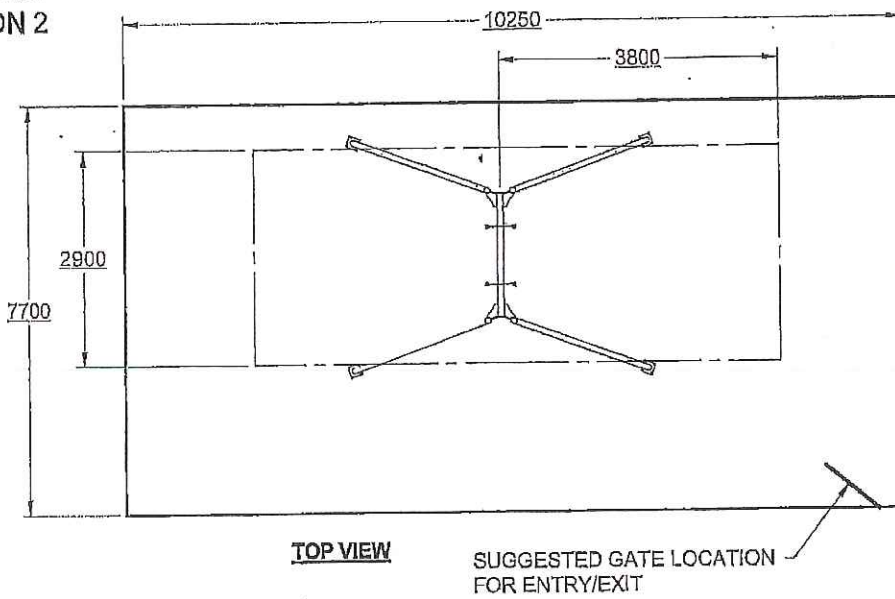
**MINIMUM SOFT FALL  
AREA REQUIRED**



**SUGGESTED  
FENCING  
OPTION 1**



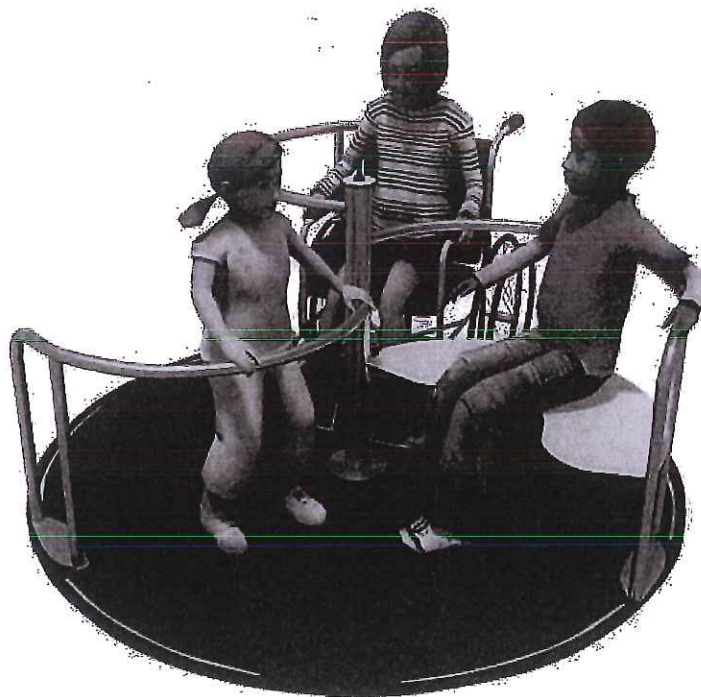
**SUGGESTED  
FENCING  
OPTION 2**



**(Liberty Swing must be fenced)**

**Options available for 1, 2 or 3 wheelchair users**Main characteristics:

- Size: 2m x 2 m x 1m (Length/Width/Height)
- Required Surfacing Area: 6,1 m x 6,1 m x 2,5 m
- Free Height of Fall: 1,0 m
- Overall Weight: 296 Kg
- Age range: 3-14 Years
- Certified EN-1176:2008
- Not suitable for Loosefill surfacing



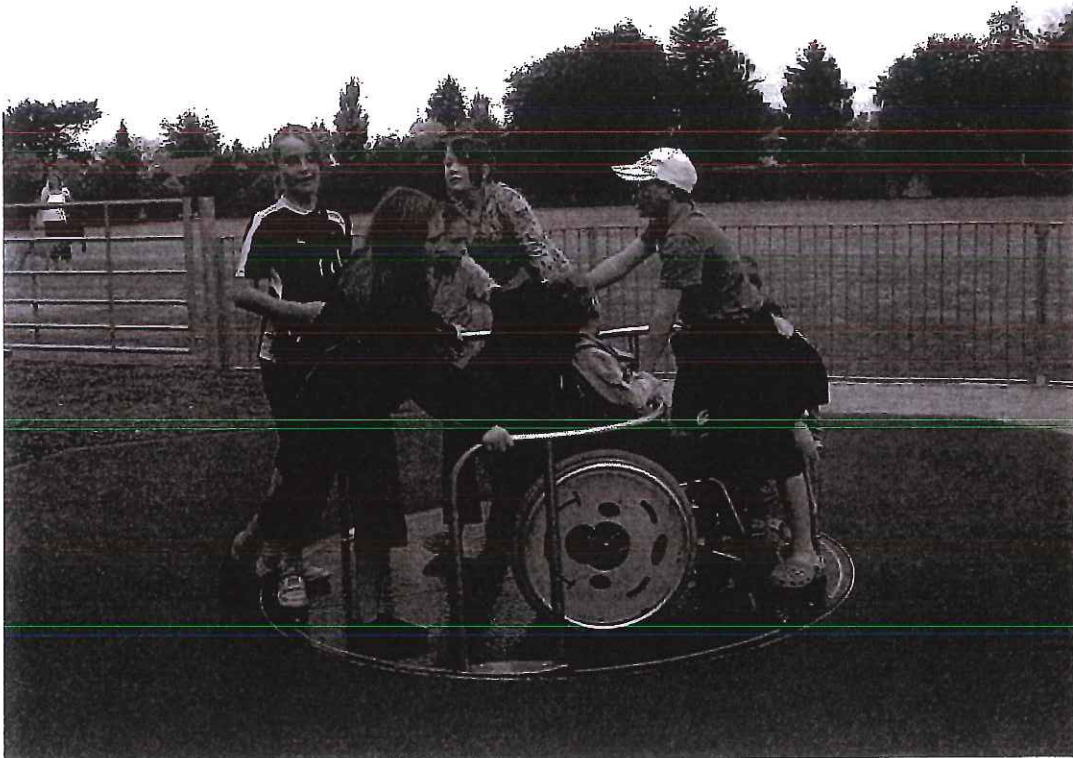
A strong, innovative, stainless steel design allows for exciting inclusive play as children can enjoy spinning round as fast as they can together.

Circular Platform  
Unique Rotating Mechanism  
Multi User Seat  
Hand Bars  
Central pole  
Inclusive Access  
Play Value  
Exhilarating speed & movement  
Encourages teamwork  
Encourages social interaction

**Inclusive Carrousels**

There are six available options according to the installation type (in ground or on ground) and the number of wheelchair, seating and standing users:

- 1 Wheelchair user, 1 Standing, 1 Seating
- 2 Wheelchair users, 1 Standing
- 3 Wheelchair users



Installation Instructions as well as an inspection and maintenance schedule guide are available on the TPP shared area.